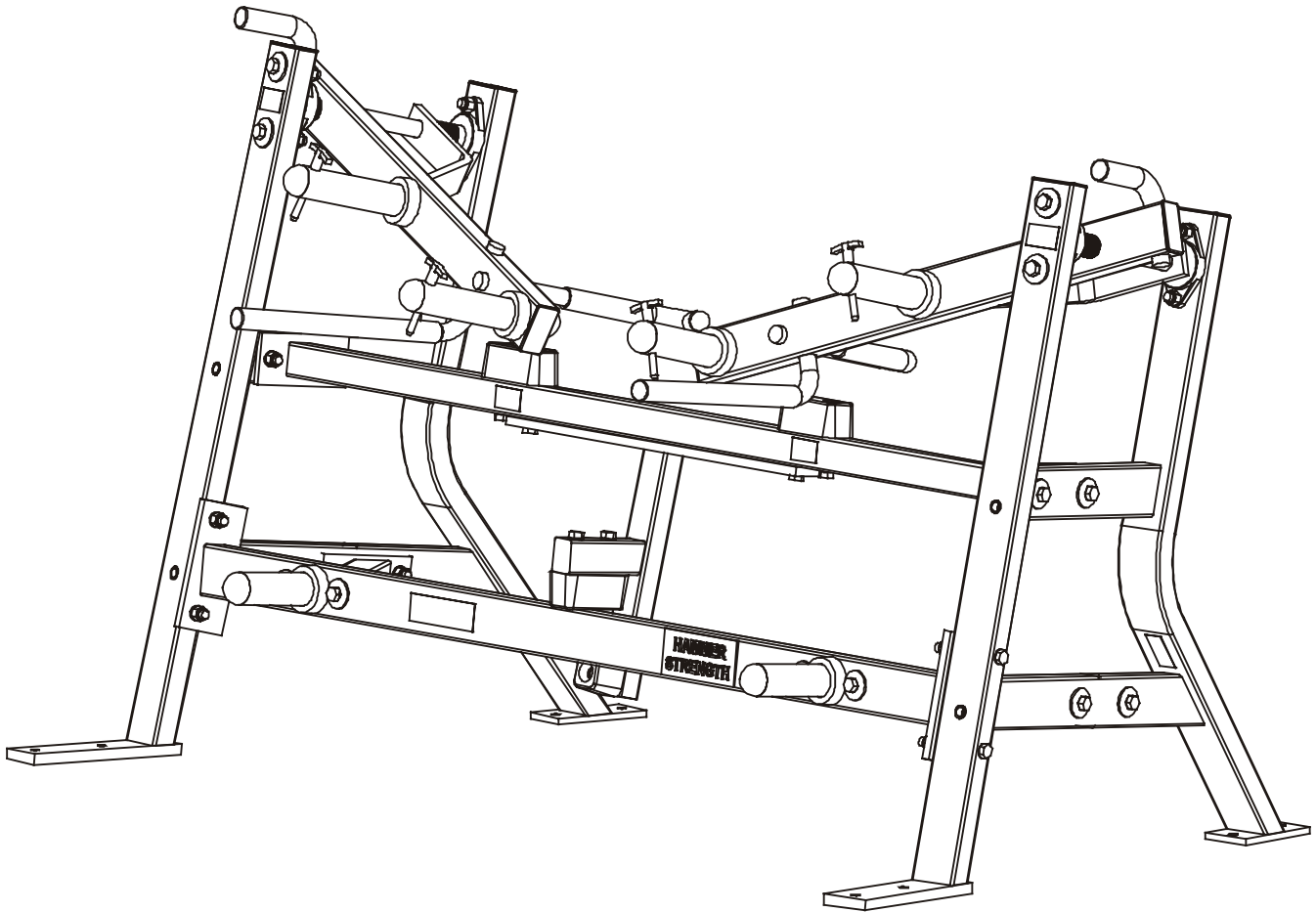


LifeFitness

**HAMMER STRENGTH EQUIPMENT
GBHP – Ground Base High Pull**



Customer Support Services *PARTS MANUAL*

HAMMER STRENGTH EQUIPMENT

NOTES:

HAMMER STRENGTH EQUIPMENT

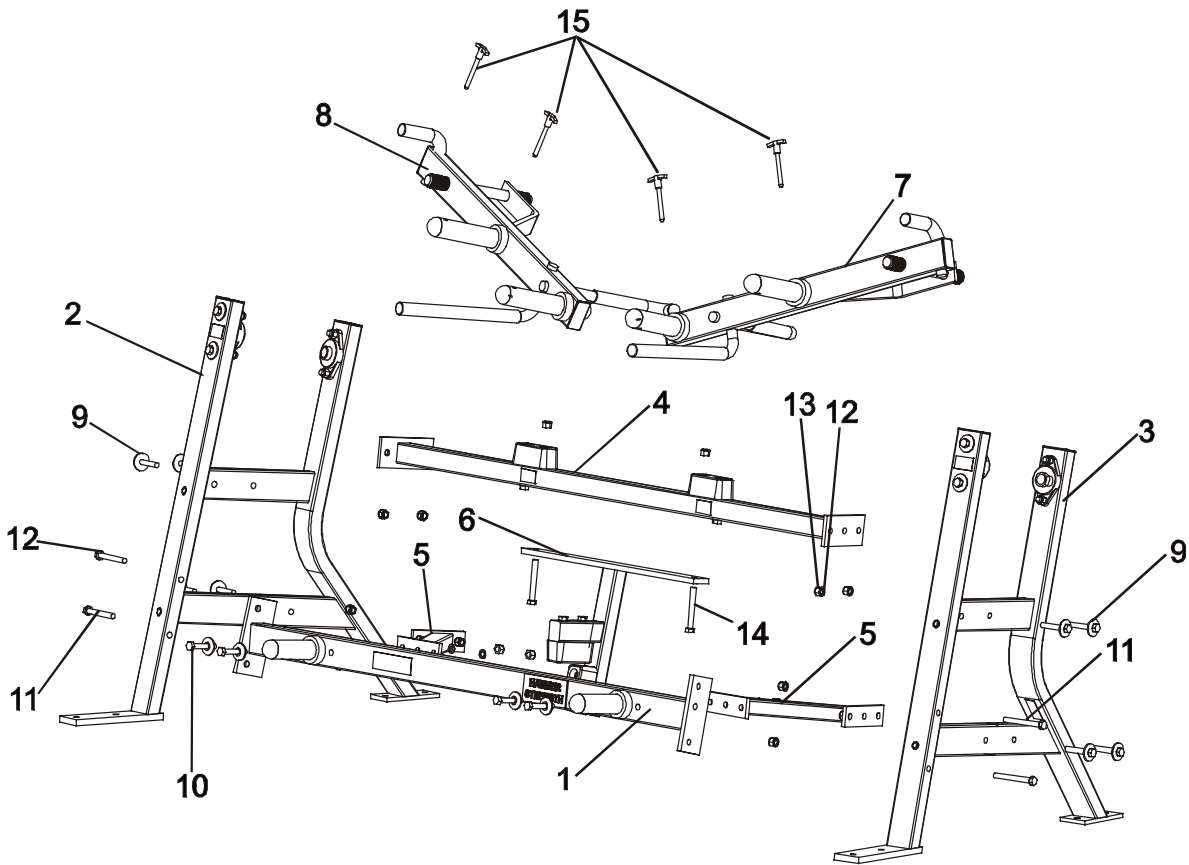
TABLE OF CONTENTS

	PAGE
EXPLODED ASSEMBLY	4
CENTER BRACKET	5
FRONT CROSSMEMBER.....	6
LEFT MOVEMENT ARM.....	7
LEFT SIDE FRAME.....	8
TOP CROSSMEMBER.....	9

HAMMER STRENGTH EQUIPMENT

Ground Base High Pull

GBHP – Exploded Assembly

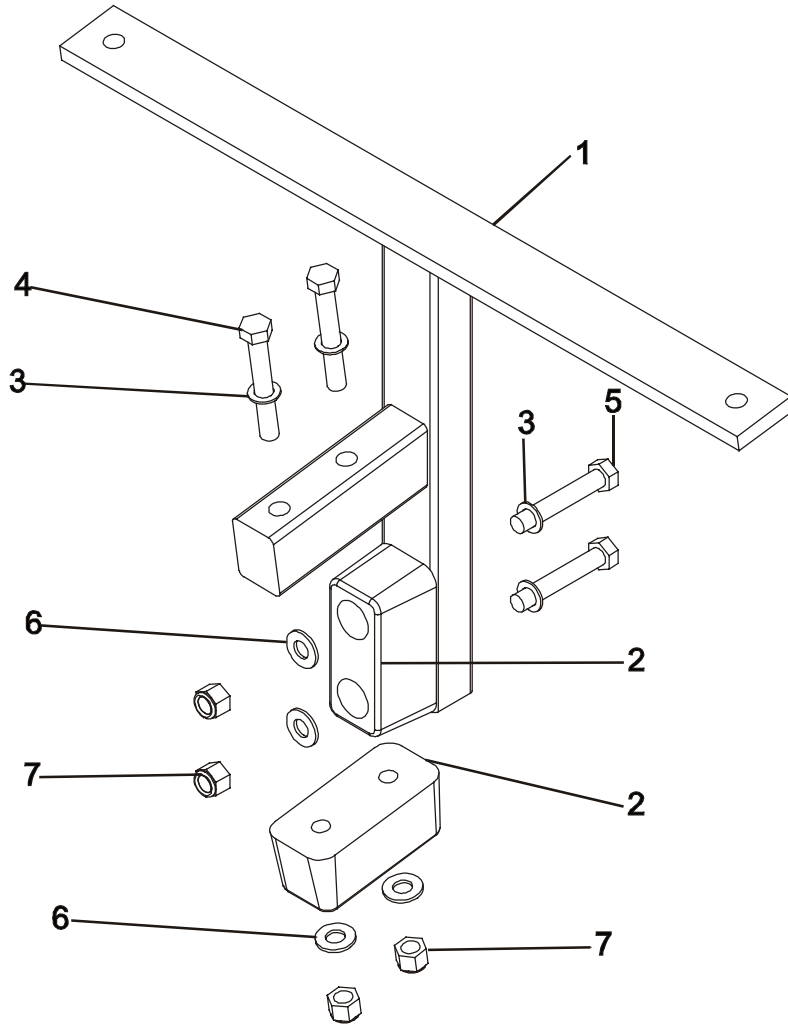


ITEM NO	QTY	PART NO.	DESCRIPTION
1	1	GBHP-CFX-0	Front Crossmember Assembly
2	1	GBHP-CSFR-0	Right Side Frame Assembly
3	1	GBHP-CSFL-0	Left Side Frame Assembly
4	1	GBHP-CTX-0	Top Crossmember Assembly
5	2	GBHP-BX-0	Bottom Crossmember Assembly
6	1	GBHP-CETC2-0	Center Bracket Assembly
7	1	GBHP-CMAL-0	Left Movement Arm Assembly
8	1	GBHP-CMAR-0	Right Movement Arm Assembly
9	12	H-BACK WASH	Backing Washer
10	12	HHB.5X3	1/2 X 3 Bolt
11	4	HHB.5X4.5	1/2 X 4 1/2 Bolt
12	22	WASH.5STAR	1/2" Internal Lock Washer
13	18	NUT.5LOCK	1/2" Thick Lock Nut
14	2	HHB.5X4	1/2 X 4 Bolt
15	4	SELECTOR PIN-4	SELECTOR PIN 4 INCH

HAMMER STRENGTH EQUIPMENT

Ground Base High Pull

GBHP – Center Bracket

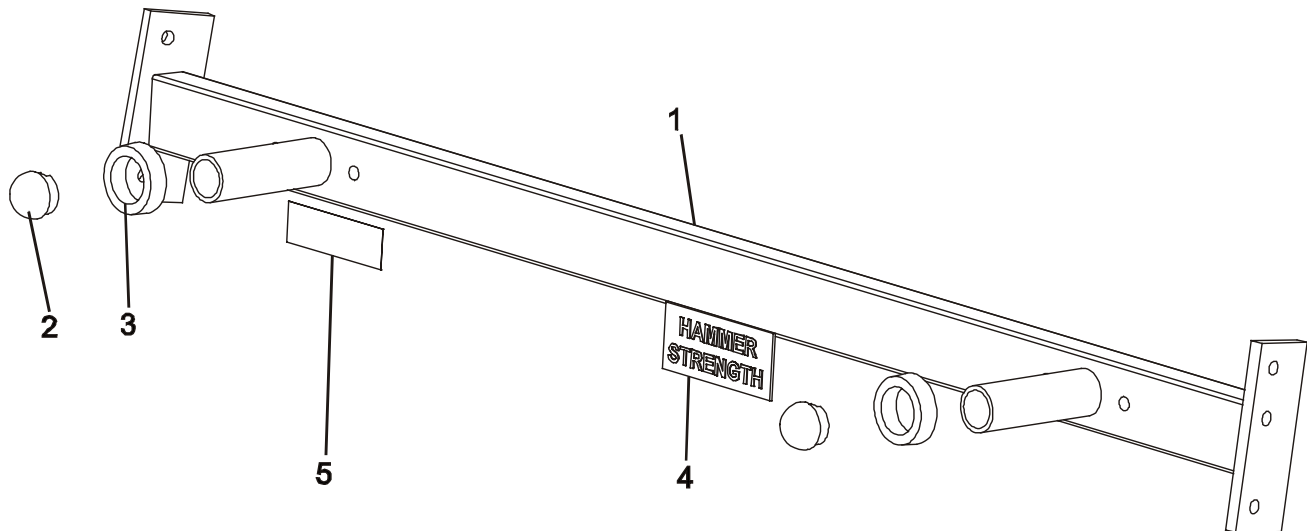


ITEM NO.	QTY.	PART NO.	DESCRIPTION
1	1	GBHP-ETC2-0	Center Bracket
2	2	H-BUMP-MED	MM2 Medium
3	4	WASH.5STAR	1/2" Internal Lock Washer
4	2	HHB.5X3.5	1/2 X 3 1/2 Bolt
5	2	HHB.5X3	1/2 X 3 Bolt
6	4	WASH.5SAE	1/2" SAE Flat Washer
7	4	NUT.5LOCK	1/2" Thick Lock Nut

HAMMER STRENGTH EQUIPMENT

Ground Base High Pull

GBHP – Front Crossmember



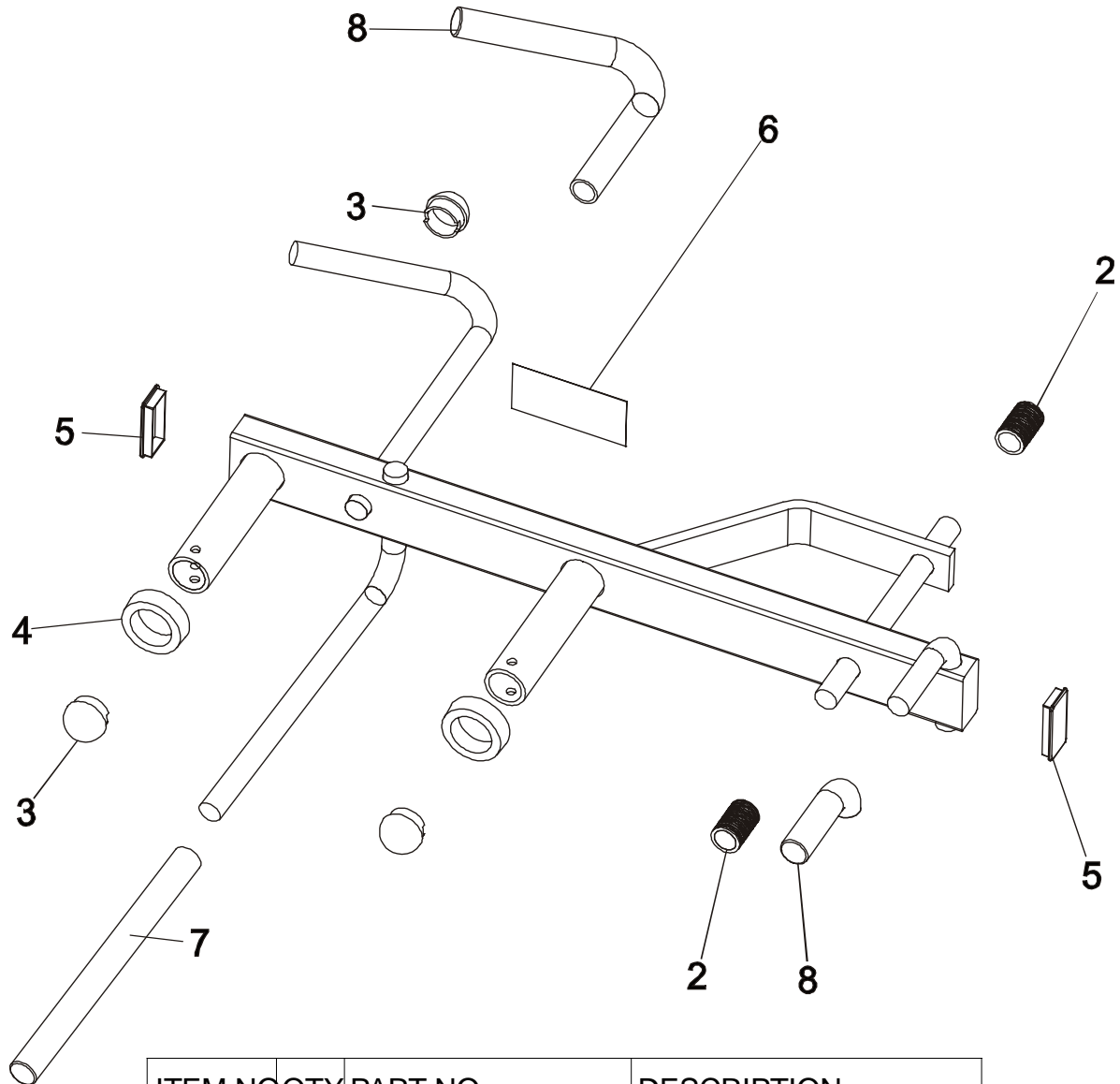
ITEM NO.	QTY	PART NO.	DESCRIPTION
1	1	GBHP-FX-0	Front crossmember
2	2	H-BENDCAP	Bullet Cap
3	2	H-RUBRNG	MM5 Ring
4	1	H-NAMEPLATE	Name Plate
5	1	GROUND BASE HIGH PULL	Product Decal

HAMMER STRENGTH EQUIPMENT

Ground Base High Pull

GBHP – Left Movement Arm

Note: LEFT SIDE shown. RIGHT SIDE mirror image.
Do Not put Warning LARGE-H on CMAR-0.



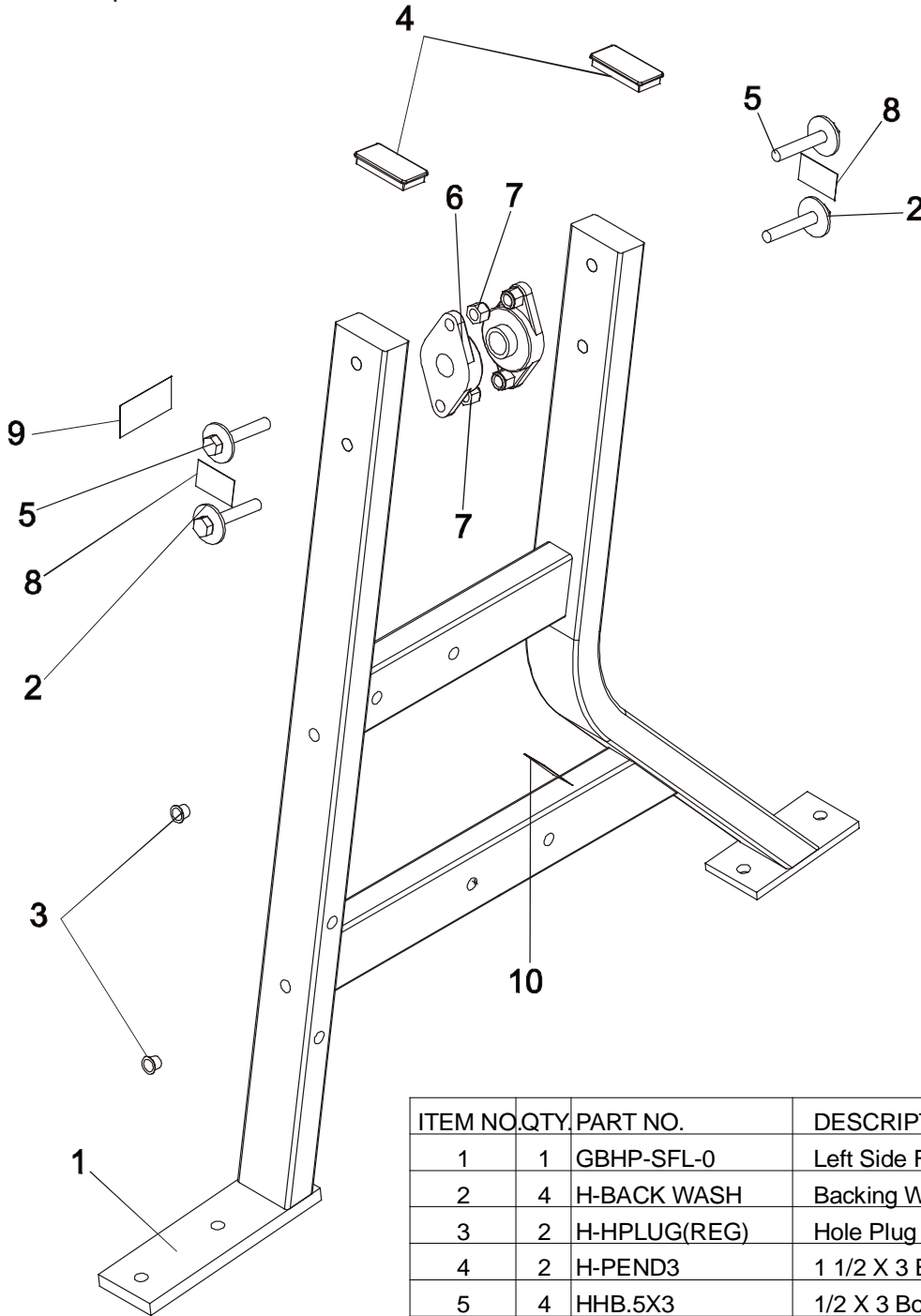
ITEM NO	QTY	PART NO.	DESCRIPTION
1	1	GBHP-MAL-0	Left Movement Arm
2	2	ACCORDIAN	Shaft Guard
3	3	H-BENDCAP	Bullet Cap
4	2	H-RUBRNG	MM5 Ring
5	2	H-PEND3	1 1/2 X 3 End Cap
6	1	WARNING LARGE-H	Large Warning Hor
7	1	H-GRIP(GBSL-A00)	HandGrip
8	2	H-GRIP	HandGrip

HAMMER STRENGTH EQUIPMENT

Ground Base High Pull

GBHP – Left Side Frame

Note: LEFT SIDE shown. RIGHT SIDE mirror image.
Do Not put Patent on CMAR-0

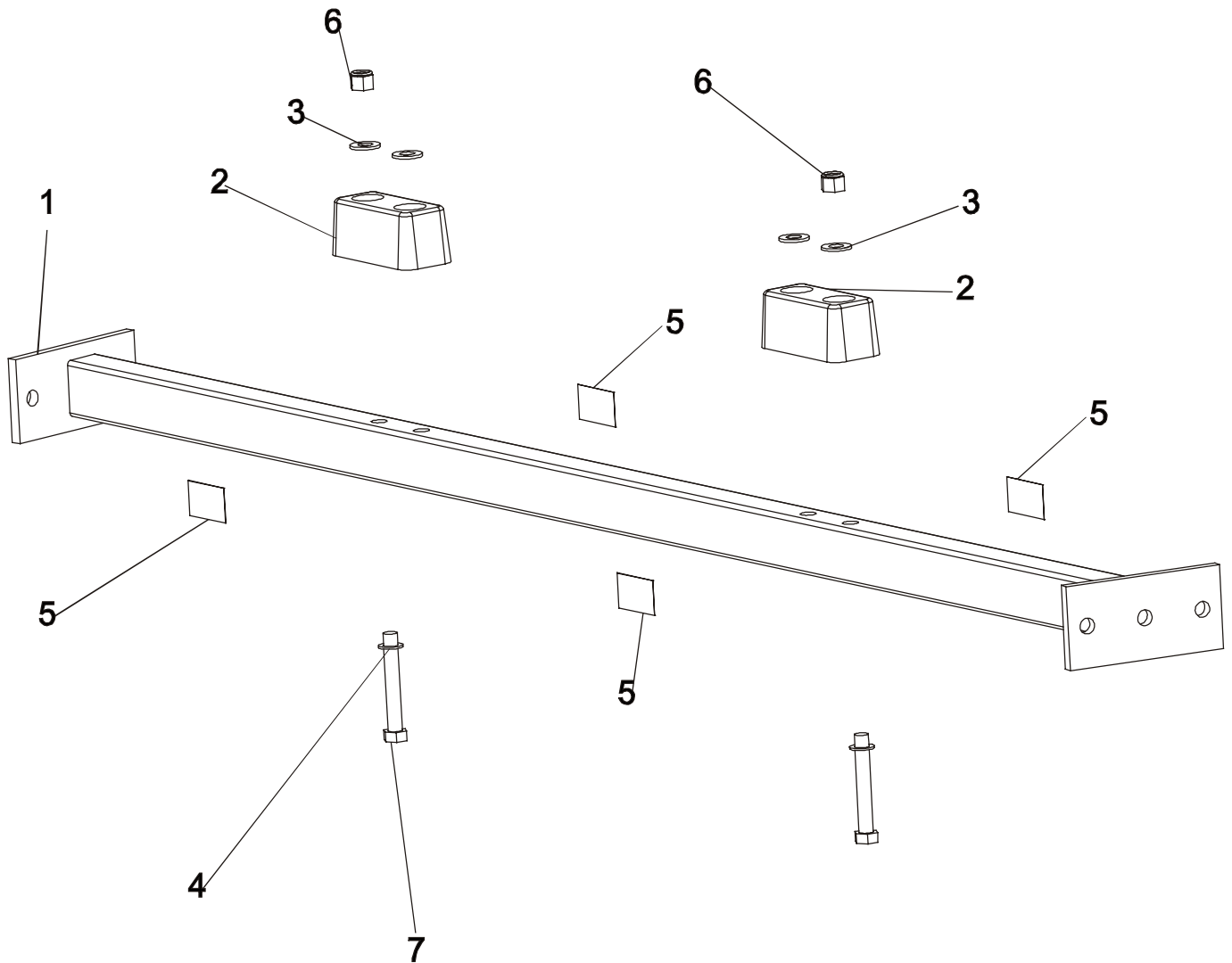


ITEM NO.	QTY.	PART NO.	DESCRIPTION
1	1	GBHP-SFL-0	Left Side Frame
2	4	H-BACK WASH	Backing Washer
3	2	H-HPLUG(REG)	Hole Plug
4	2	H-PEND3	1 1/2 X 3 End Cap
5	4	HHB.5X3	1/2 X 3 Bolt
6	2	H-BEAR-SML	Small Bearing
7	4	NUT.5LOCK	1/2" Thick Lock Nut
8	2	STAY CLEAR	Stay Clear Decal
9	1	PATENT	Patent Decal
10	1	SERIAL NUMBER	Serial Number

HAMMER STRENGTH EQUIPMENT

Ground Base High Pull

GBHP – Top Crossmember



ITEM NO	QTY	PART NO.	DESCRIPTION
1	1	GBHP-TX-0	Top Crossmember
2	2	H-BUMP-MED	MM2 Medium
3	4	WASH.5SAE	1/2" SAE Flat Washer
4	2	WASH.5STAR	1/2" Internal Lock Washer
5	4	STAY CLEAR	Stay Clear Decal
6	2	NUT.5LOCK	1/2" Thick Lock Nut
7	2	HHB.5X3.5	1/2 X 3 1/2 Bolt